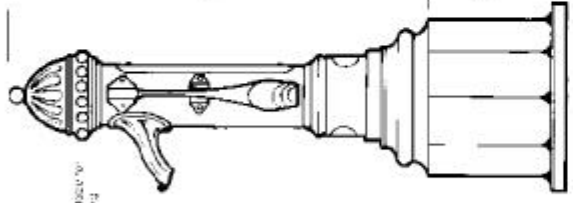
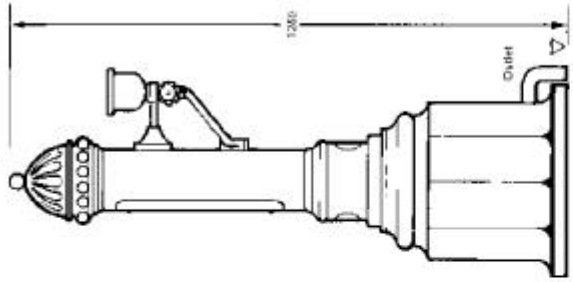


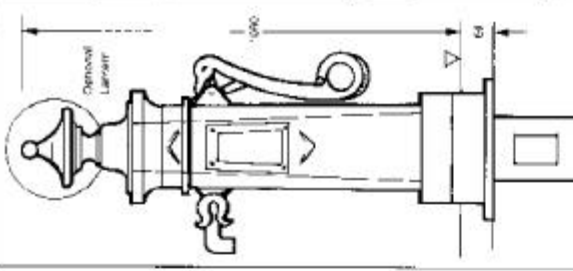
**Cambridge Bollard**  
with brackets 800x1125A  
see drawing



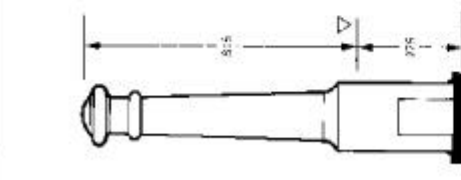
**Cambridge Water Nymph**



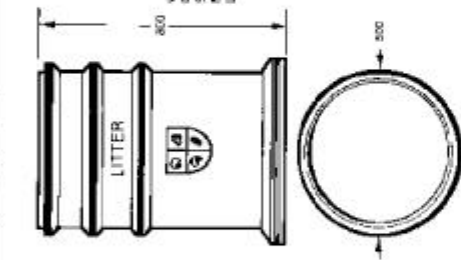
**Drinking Fountain**  
Water supply



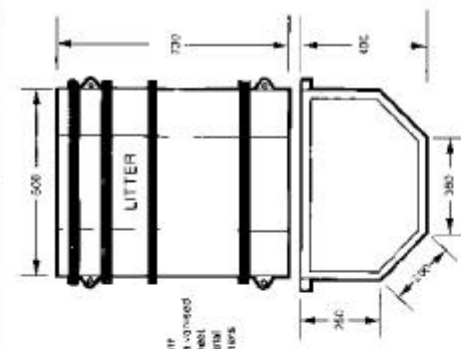
**Hampton Court**  
Water Supply Drinking Fountains.  
Electrically operated with zoomorphic  
pedestals for illuminated Bollard



**Cambridge Pedestrian Bollard**

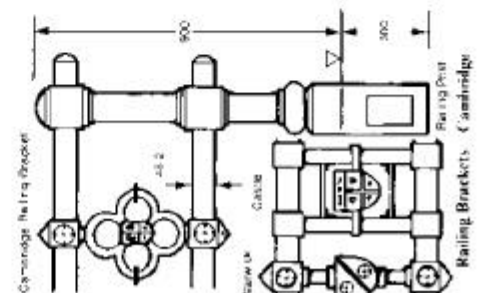


**Cambridge Big Boy (Heavy Duty)**  
Cast Iron Litter Bin  
Aluminium Liner

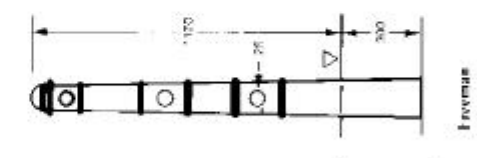


**Hampton Court**  
Cast Iron Litter Bin  
Aluminium Liner

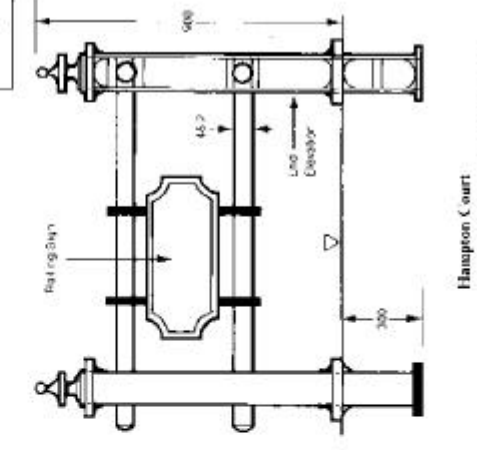
**NOTE:**  
Railings of continuous length will require intermediate joiners. Pre-assembled lengths of a maximum of 3 posts for easy maintenance.



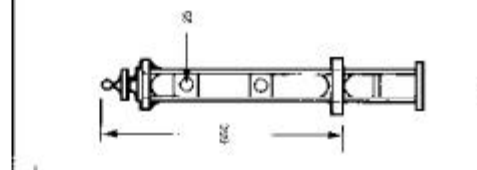
**Railing Brackets Cambridge**



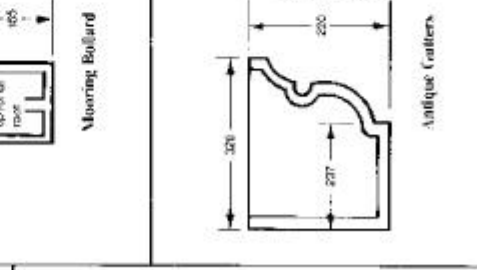
**Freestone Stanchion**



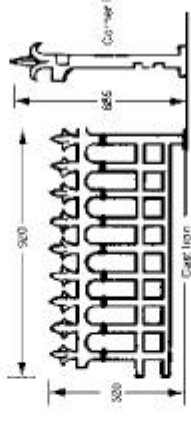
**Hampton Court**  
800mm diameter railing post and 650mm



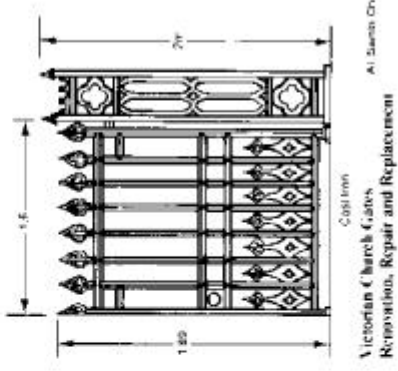
**Morning Bollard**



**Antique Casters**



**Austin Continuous Link Balustrading**



**Victorian Cast Iron Gates**  
Renovation, Repair and Replacement

**A. J. BERNASCONI**  
15 Mill Green, Warboys,  
Huntingdon, Cambs, PE17 2SA.

**Railings, Litter Bins,  
Bollards and Gates**  
Factory pre-assembled railings, up to 4 posts  
sections, ready to simply drop into prepared  
foundations and concreted into place.

Railing Brackets with crests, motif, date  
plaques etc. ready fitted.  
Railing signs of various sizes available, with  
almost any wording or graphic design the  
customer requires.

Telephone: (0487) 822660 Fax: (0487) 823914